

**ACOUSTIC PERFORMANCE**

**IMPACT L<sub>n</sub>TW = 47dB    AIRBORNE D<sub>n</sub>TW = 61dB    D<sub>n</sub>TW + CTR = 49dB**

**RESULTS BASED ON ALL HUSH COMPONENTS BEING USED AND INSTALLED CORRECTLY AS PER THE FOLLOWING HD1049 SPECIFICATION. ALL FLANKING TRANSMISSION PATHS TO BE CORRECTLY ISOLATED.**

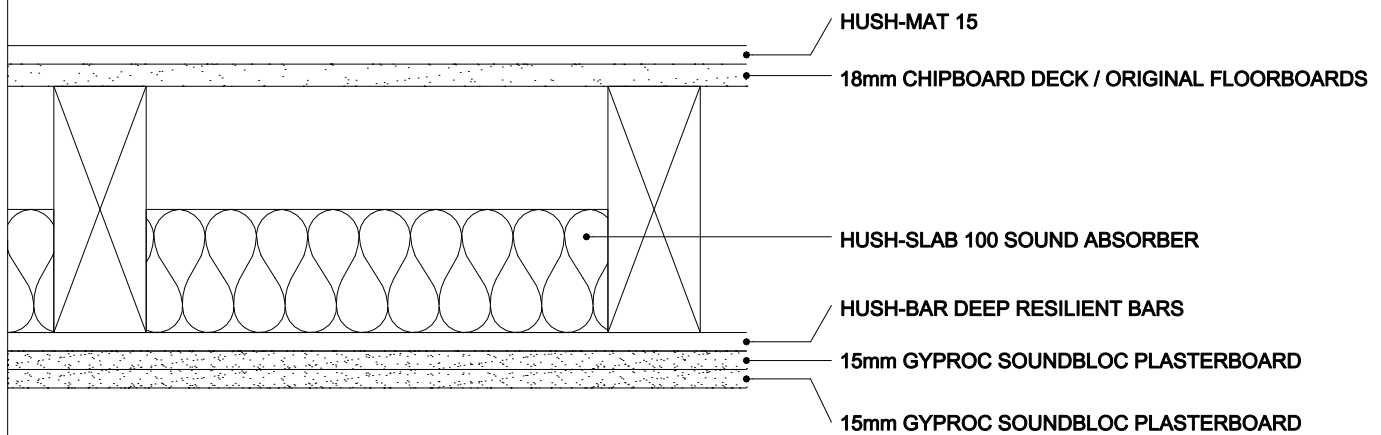
**SPECIFICATION**

**HUSH-MAT 15 TO BE BONDED TO THE TIMBER STRUCTURE USING THE HUSH CONTACT ADHESIVE. SUITABLE FLOOR FINISHES CAN THEN BE INSTALLED OVER THE HUSH-MAT 15 WITH THE CORRECT INSTALLATION GUIDANCE. THE TIMBER DECK OVER THE JOISTS CAN BE THE ORIGINAL FLOORBOARDS OR A 18mm / 22mm T&G CHIPBOARD / PLYWOOD DECK.**

**HUSH-SLAB 100 FITTED TIGHTLY BETWEEN THE JOISTS WITH NO AIR GAPS.**

**HUSH-BAR DEEP RESILIENT BARS FIXED HORIZONTALLY TO THE UNDERSIDE OF JOISTS AT 600mm CENTRES.**

**TWO LAYERS OF 15mm SOUNDBLOC PLASTERBOARD TO BE INSTALLED TO THE UNDERSIDE OF THE HUSH-BAR DEEP RESILIENT BARS. SEAL ALL PERIMETERS WITH HUSH ACOUSTIC SEALANT PTIOR TO SKIMMING.**



**HUSH (UK) LTD  
HUSH-MAT 15 RB SYSTEM  
HD1049**