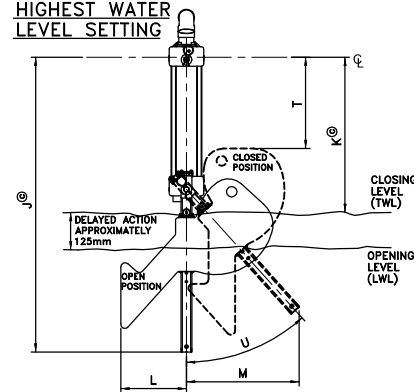


**AYLESBURY KAX TYPE
DIMENSIONS – FRONT VIEW**

SIZES (DN): 3/4"(20) 1"(25) 1 1/4"(32), 1 1/2"(40)SF, 1 1/2"(40)HF, 2"(50)SF

HIGHEST WATER LEVEL SETTING

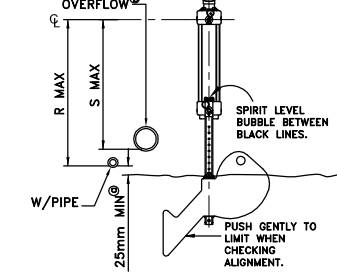


WARNING

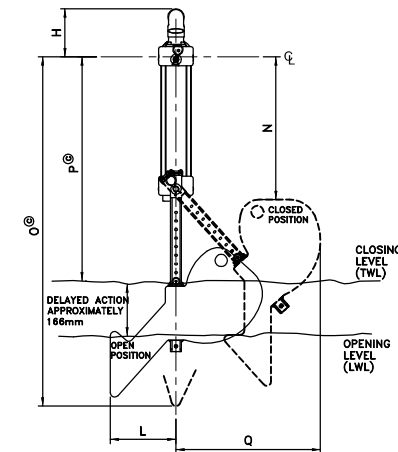
The float arm must be fitted absolutely vertical (in the open position) as indicated by the spirit level. Misalignment will prevent the valve from closing.

Ensure overflowing level is not lower than that shown below (Rmax); and higher for higher water levels

Level differential 125 – 166mm non adjustable delayed action.



LOWEST WATER LEVEL SETTING



DN	20	25	32	40SF	40HF	50SF
SIZE	3/4"	1"	1 1/4"	1 1/2"SF	1 1/2"HF	2"SF
J	489	489	684	684	684	684
K	164	164	359	359	359	359
L	152	152	152	152	152	152
M	225	225	225	225	263	263
N	136	136	331	331	331	331
O	615	615	810	810	810	810
P	325	325	520	520	520	520
Q	335	335	335	335	335	335
Rmax	300	300	495	495	495	495
Smax	275	275	470	470	470	470
T	16	16	211	211	211	211
U	30°	30°	30°	30°	40°	40°

NOTES

ⓐ SCHED 2, SECT 7, G16.5 Water Regs. Gap should be more if water is turbulent – especially if near valve discharge. 40mm minimum for valves 1 1/2"(DN 40mm) or larger – recommended by Keraflo.

ⓑ Typically twice inlet bore. SCHED 2, SECT 7, G16.10 Water Regs.– warning/overflow pipe(s) should be capable of taking any possible flow in the pipe arising from inlet valve failure

ⓒ If longer drop required please call Keraflo.

See KI070* for side view

In the sizes shown we no longer supply the 'T' ABS discharge.

All dimensions in mm unless stated. Measurements are subject to specific gravity of solution.

Keraflo Ltd reserve the right to change specifications, design and materials without prior notice.



KERAFLO LTD
UNIT 1 WOODLEY PARK EST.
59-69 READING ROAD
WOODLEY, READING
BERKSHIRE, RG5 3AN, UK
TEL: +44 (0)118 921 9920
FAX: +44 (0)118 921 9921
e-mail: info@keraflo.co.uk
web site: www.keraflo.co.uk

KI071D
20/10/06