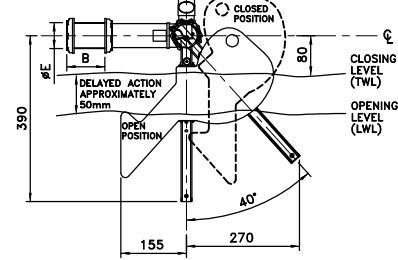


AYLESBURY K TYPE
DIMENSIONS – SIDE VIEW
SIZES (DN): 2”(50)HF, 2½”(65)SF, 3”(80)RB

HIGHEST WATER LEVEL SETTING

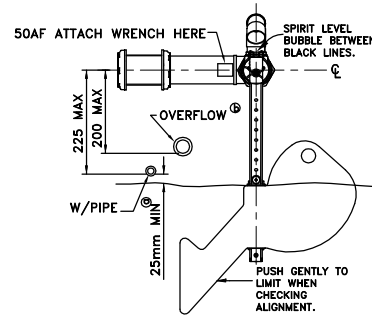


WARNING

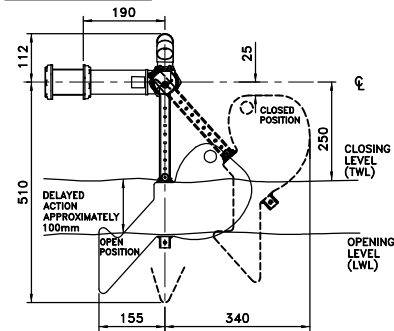
The float arm must be fitted absolutely vertical (in the open position) as indicated by the spirit level. Misalignment will prevent the valve from closing.

Ensure overflowing level is not lower than 225mm; and higher for higher water levels

Level differential 50 – 100mm non adjustable delayed action.



LOWEST WATER LEVEL SETTING



DN	50HF	65SF	80RB
SIZE	2"HF	2½"SF	3"RB
B _{max}	95	100	99
øE	60	75.5	89

NOTES

Ⓒ SCHD 2, SECT 7, G16.5 Water Regs. Gap should be more if water is turbulent – especially if near valve discharge. 40mm minimum for valves 1½”(DN 40mm) or larger – recommended by Keraflo.

Ⓓ Typically twice inlet bore. SCHD 2, SECT 7, G16.10 Water Regs.– warning/overflow pipe(s) should be capable of taking any possible flow in the pipe arising from inlet valve failure.

See K1084* for front view
 All dimensions in mm unless stated.
 Measurements are subject to specific gravity of solution.
 Keraflo Ltd reserve the right to change specifications, design and materials without prior notice.

K1083B
 04/12/07



KERAFLO LTD
 UNIT 1 WOODLEY PARK EST.
 59-69 READING ROAD
 WOODLEY, READING
 BERKSHIRE, RG5 3AN, UK
 TEL: +44 (0)118 921 9920
 FAX: +44 (0)118 921 9921
 e-mail: info@keraflo.co.uk
 web site: www.keraflo.co.uk